

# PHOENIX GOLD



## ZR Series Subwoofers

Models: ZMAX82 - ZMAX122

### FEATURES

**Aluminium basket-** PG designed, powder coated aluminium baskets help deliver exceptional bass

**High roll foam surround-** Helps to maximize the performance of the subwoofers

**BASV bobbin former-** Able to handle high temperatures to ensure longevity of the subwoofer [ZMAX82: 2.5" / ZMAX122: 3"]

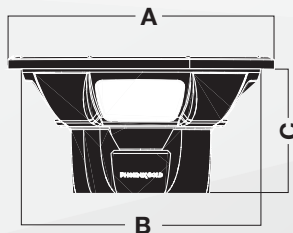
**Vented frame & motor-** Better thermal efficiency, reduces motor compression and provides extended low frequency response

**Big quality motor-** High quality magnet  
[ZMAX82: 100oz / ZMAX122: 195oz]

**ZR**  
series

# ZMAX82 / ZMAX122

SPECIFICATION	ZMAX82	ZMAX122
Nominal Impedance (Z)	1.85 ohms	3.50 ohms
DC Resistance (Re)	2 ohms	2.2 ohms
Resonance Frequency (Fs)	49.7 Hz	33.5 Hz
Piston Area (Sd)	206.1cm <sup>2</sup>	510.7cm <sup>2</sup>
Force Factor (BL)	9.3 Tm	14.679 Tm
Mechanical Q Factor (Qms)	9.186	6.092
Electrical Q Factor (Qes)	0.585	0.423
Total Q Factor (Qts)	0.55	0.396
Sensitivity 1W/M (SPL)	81 dB	85 dB
Mechanical Compliance (Cms)	63.273 μM/N	57.261 μM/N
Moving Mass (Mms)	161.806 g	393.362 g
Linear Excursion (Xmax)	14.5mm	16.5mm
Volume Acoustic Compliance (Vas)	3.82 Ltr 0.13 cu ft	21.2 Ltr 0.74 cu ft
Reference Efficiency (NO.)	0.08%	0.18%
Nominal Power (Pe)	500 Watts	1500 Watts
Peak Power	1500 Watts	4500 Watts
Frequency Response	20-500 Hz	20-500 Hz
Voice Coil Diameter	2.3in/60mm	2.9in/75mm
Overall Diameter (A)	8.6in/218.50mm	12.95in/329.00mm
Cut Out Diameter (B)	7.35in/186.00mm	11.32in/287.53mm
Mounting Depth (C)	5.17in/131.49mm	7in/178.50mm



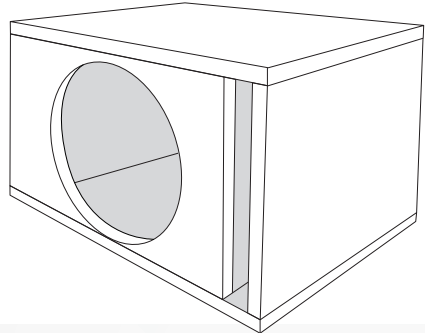
## Enclosure Recommendations

Speaker and port displacement are already taken into account for recommended enclosures

### ZMAX82

<b>Ported Enclosure - Punchy Bass</b>	
Net Internal Volume	25 Ltr
Slot Port Area	60cm <sup>2</sup>
Slot Port Length	29cm
Round Port Diameter	4 inch (10.16cm)
Round Port Length	40cm

<b>Ported Enclosure - Deep Bass</b>	
Net Internal Volume	33 Ltr
Slot Port Area	60cm <sup>2</sup>
Slot Port Length	27cm
Round Port Diameter	4 inch (10.16cm)
Round Port Length	38cm

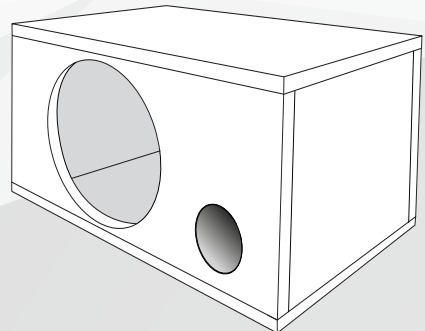


Slot Port Example

### ZMAX122

<b>Ported Enclosure - Punchy Bass</b>	
Net Internal Volume	33 Ltr
Slot Port Area	90cm <sup>2</sup>
Slot Port Length	55cm
Round Port Diameter	4 inch (10.16cm)
Round Port Length	34cm

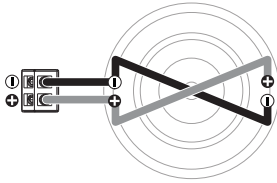
<b>Ported Enclosure - Deep Bass</b>	
Net Internal Volume	40 Ltr
Slot Port Area	90cm <sup>2</sup>
Slot Port Length	41cm
Round Port Diameter	4 inch (10.16cm)
Round Port Length	37cm



Round Port Example

## SINGLE SUBWOOFER SYSTEM

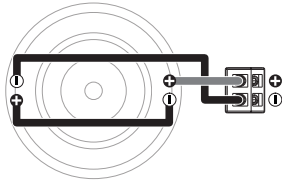
WIRED IN PARALLEL



ZMAX82 / ZMAX122 = 1 OHM

## SINGLE SUBWOOFER SYSTEM

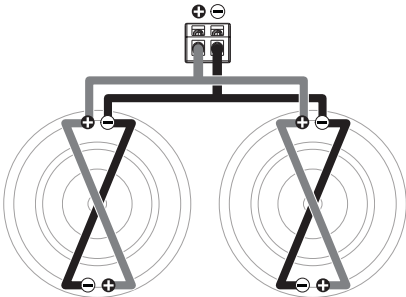
WIRED IN SERIES



ZMAX82 / ZMAX122 = 4 OHM

## DUAL SUBWOOFER SYSTEM

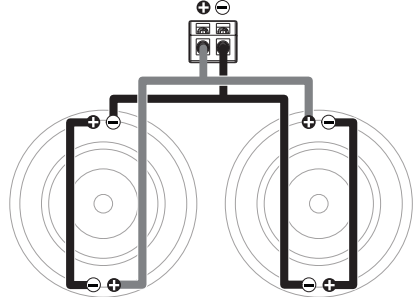
WIRED IN PARALLEL



ZMAX82 / ZMAX122 = 1/2 OHM

## DUAL SUBWOOFER SYSTEM

WIRED IN SERIES - PARALLEL



ZMAX82 / ZMAX122 = 2 OHM

## Phoenix Gold Product Warranty

### LIMITED WARRANTY ON SUBWOOFERS

Phoenix Gold warrants this product to be free of defects in materials and workmanship for a period of one (1) years from the original date of purchase. This warranty is not transferable and applies only to the original purchaser from an authorized Phoenix Gold dealer in the United States of America only. Should service be necessary under this warranty for any reason due to manufacturing defect or malfunction, Phoenix Gold will (at its discretion), repair or replace the defective product with new or remanufactured product at no charge. Damage caused by the following is not covered under warranty: accident, misuse, abuse, burnt voice coils, used as door stops, salad bowls or hats, product modification or neglect, failure to follow installation instructions, unauthorized repair attempts, misrepresentations by the seller. This warranty does not cover incidental or consequential damages and does not cover the cost of removing or reinstalling the unit(s). Cosmetic damage due to accident or normal wear and tear is not covered under warranty.

### INTERNATIONAL WARRANTIES:

Products purchased outside the United States of America are covered only by that country's Authorized Phoenix Gold reseller and not by Phoenix Gold. Consumers needing service or warranty information for these products must contact that country's reseller for information.

Phoenix Gold is a Power Brand of AAMP Global  
15500 Lightwave Drive, Suite 202  
Clearwater, Florida 33760  
P: 866-788-4237  
info@phoenixgold.com