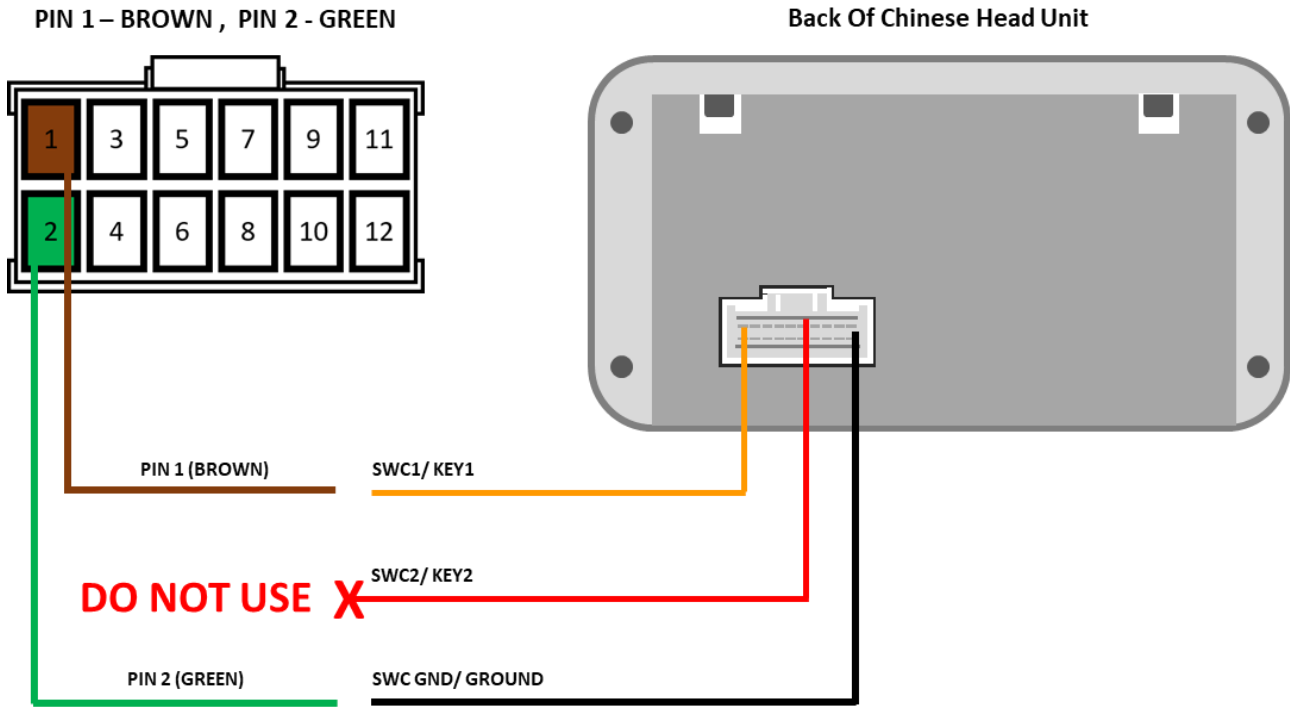


This patch lead has two wires which give fixed resistive values for each of the steering wheel commands. These values can be easily recognised by the aftermarket unit.

Installation Instructions

PIN 1 (BROWN WIRE) from lead goes to SWC1/KEY1 on Chinese/Unbranded radio

PIN 2 (GREEN WIRE) from lead goes to SWC GND/GROUND on Chinese/Unbranded radio



This patch lead has two wires which give fixed resistive values for each of the steering wheel commands. These values can be easily recognised by the aftermarket unit.

Installation Instructions

PIN 1 (BROWN WIRE) from lead goes to SWC1/KEY1 on Chinese/Unbranded radio

PIN 2 (GREEN WIRE) from lead goes to SWC GND/GROUND on Chinese/Unbranded radio

