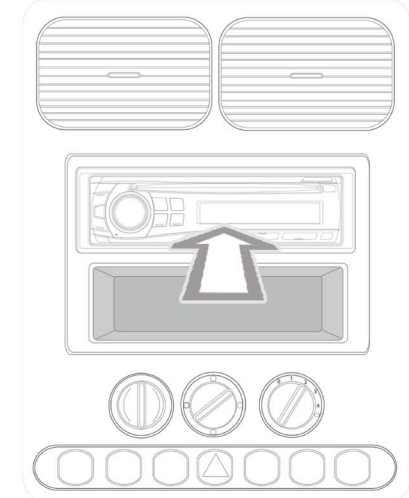
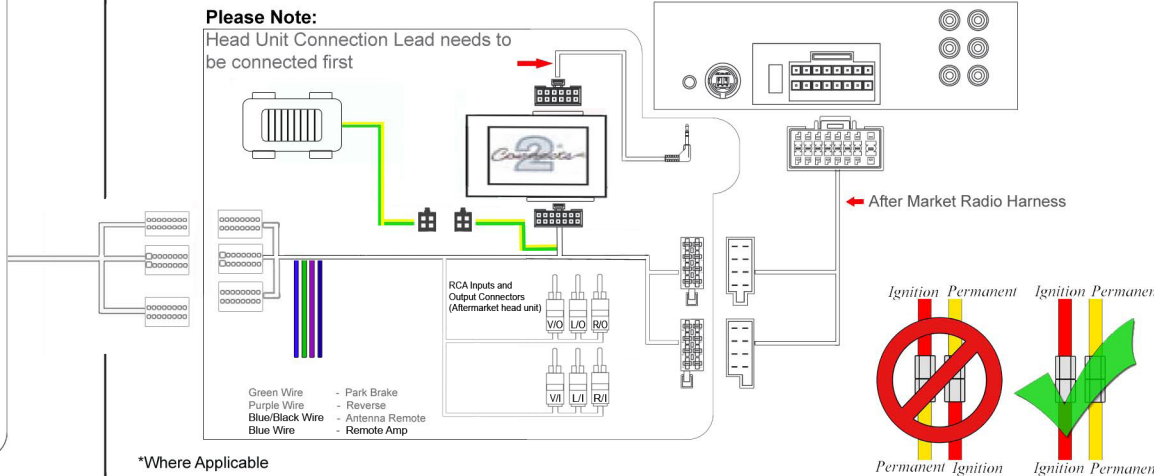
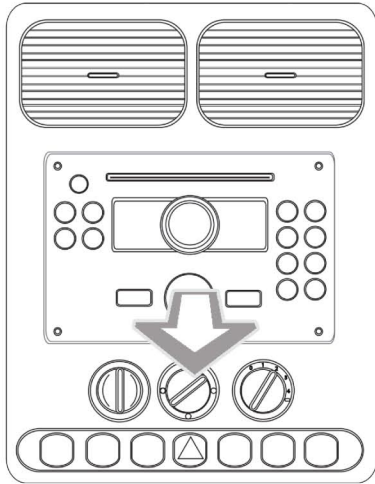


Installation Guide

Part No: CTSGM002

Chevrolet Steering Wheel Control Interface



Vehicle Compatibility:

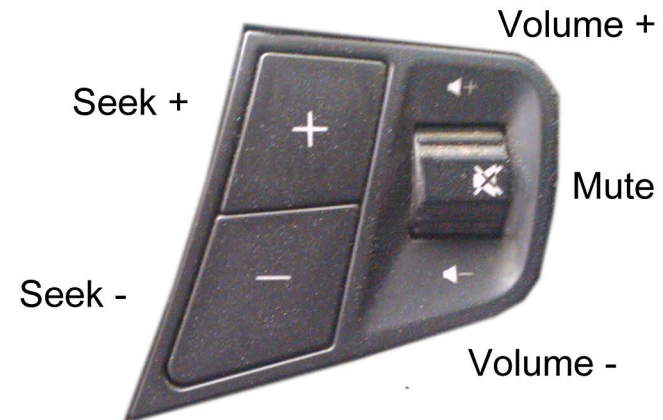
Steering Wheel Control Functions

Compatible with OEM amplified systems and rear seat entertainment

Buick Enclave 2007-2011
Buick Lucerne 2007-2010

Chevrolet Equinox 2007-2013
Chevrolet Silverado 2007-2013
Chevrolet Suburban 2006-2014
Chevrolet Tahoe 2007-2014
Chevrolet Traverse 2009-2013

GMC Acadia 2007-213
GMC Sierra 2007-2013
GMC Yukon 2007-2014



* Note All Dates are guide lines only as specifications of vehicles change