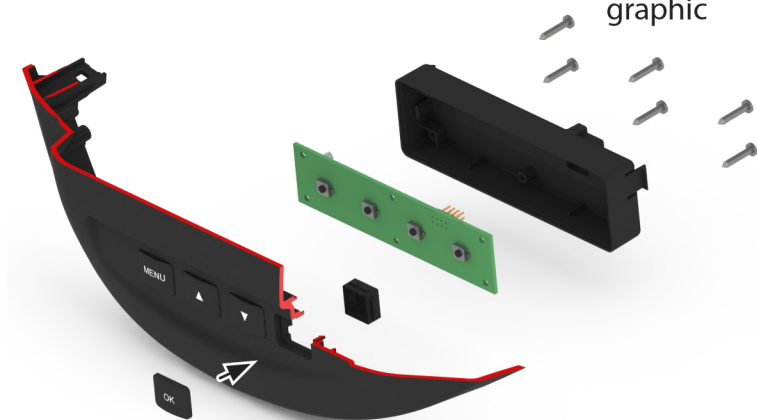


- Reinstall top panel
Mount metal frame
Fix metal frame with
3 OEM screws (see arrows)

- Mount replacement PCB and
buttons as shown in sample
graphic



- Connect all required circuit
points. Place Double DIN head.

Reinstall everything in reverse
order to finish installation.



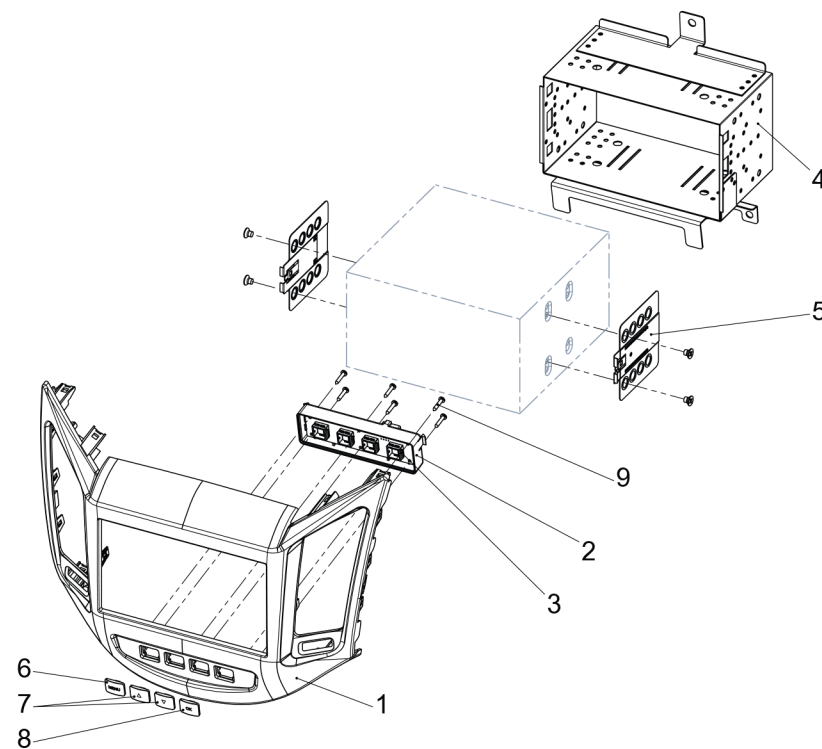
Installation Manual Double DIN Kit

part-no.: CT23CV08
colour: black

• Chevrolet Orlando (KL1Y/KL1YN) 10/2010->

Compatible with these double DIN devices

Double-DIN Navigation

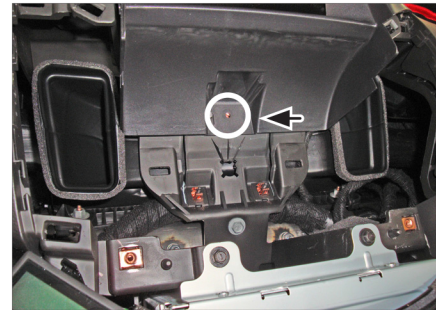


- (1) Facia plate
- (2) Cover
- (3) Spring
- (4) Sheet Metal Frame

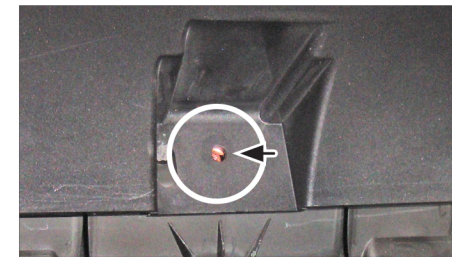
- (5) Mounting Kit
- (6) Button MENU
- (7) Button Arrow
- (8) Button - OK
- (9) Self-tapping convex fillister head screw



1. Unclip side panels (see arrows)



5. Remove screw of top panel



2. Remove side panels

Remove screws left and right



6. Remove top panel



3. Remove panel



7. Cut away app. 10 mm



4. Dash board with removed panel



8. Cut away pin (see arrow)

