

APPLICATIONS
Hummer H2
2003-2007

CT23HU02

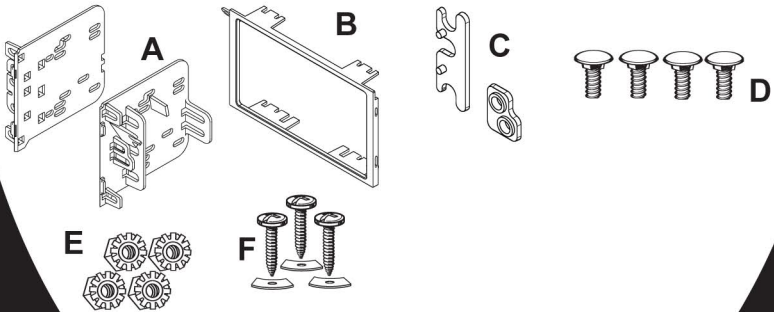
KIT FEATURES

- Double DIN Radio Provision
- Stacked ISO Mount Units Provision



KIT COMPONENTS

- A) Double DIN Brackets
- B) Double DIN Trim Plate
- C) Spacers
- D) (4) Carriage Bolts
- E) (4) Kep Nuts
- F) (3) Screws-(3) Speed Clips



TOOLS REQUIRED:

- Utility knife • Phillips Screwdriver • Socket Set



VEHICLE APPLICATION CONTENTS

**Note: Refer also to the instructions included with the aftermarket radio.*

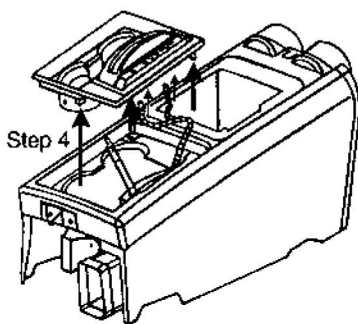
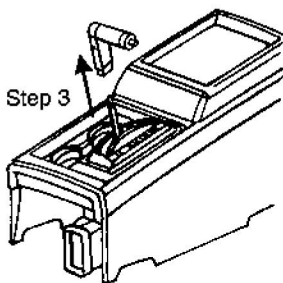
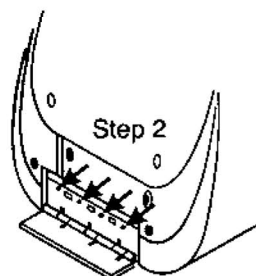
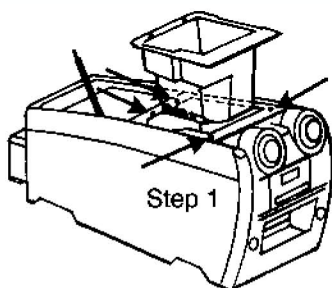
Dash Disassembly

HUMMER H2 2003-2007 1,2

Double Din Radio/Stacked ISO Mount 3

HUMMER • H2 2003-2007

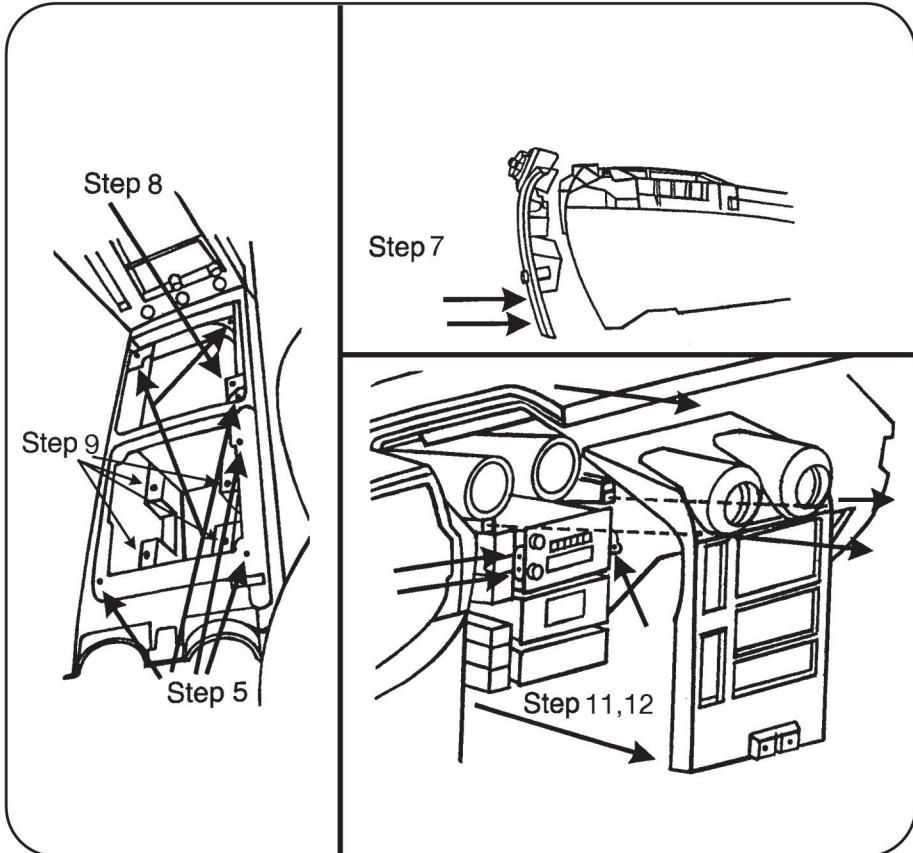
- 1 Disconnect the negative battery terminal to prevent an accidental short circuit.
- 2 Open center console and remove (4) 9/32" screws from console box and remove box.
- 3 Remove (4) phillips screws from hinge on console door inside console and remove door.
- 4 Loosen (1) T-15 torx on forward facing side of shift lever and pull up to remove.
- 5 Unclip cup holder/shifter trim assembly and remove.
- 6 Remove (6) Phillips screws from top of center console.
- 7 Remove (2) Phillips screws from inside pocket on back of center console, then unclip and remove.



HUMMER • H2 2003-2007

- 8 Remove (1) 10mm bolt to right of shift lever.
- 9 Remove (2) Phillips screws from under console box on drivers side and (2) Phillips screws from under console trimtop on passenger side.
- 10-Slide control assembly rearwards.
- 11 Remove (2) T-30 torx bolts from top of rado/climate control trim and unclip and remove.
- 12 Remove (3) 9/32" screws that hold the radio in.

Continue to kit assembly.



DOUBLE DIN RADIO PROVISION STACKED ISO MOUNT UNIT(S) PROVISION

**Note: Refer also to the instructions included with the aftermarket radio.*

- 1 Snap the Double DIN brackets to the edge of the Double DIN trim plate. (Figure A)
- 2 Slide the Double DIN head unit or stacked ISO head units into the bracket/radio housing assembly and secure the Double DIN head unit or stacked ISO head units to the assembly using the screws supplied with the radio. (Figure B)

