



SEA Series Marine Subwoofers

SEA10S4 | SEA12S4

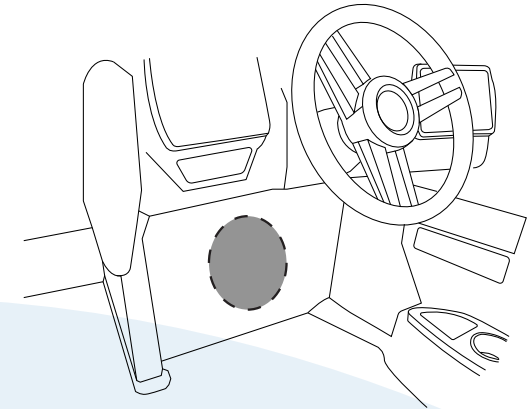
- Fully marinated against salt & fresh water conditions
- UV testing exceeds industry standards for years of durability
- Salt and fog tested to battle the harshest environments
- Precision non-corrosive terminals create a solid connection in any environment
- 150W RMS / 300W Peak Power Handling
- Polypropylene Mica Injected Cone
- Butyl rubber surround



Specifications
Installation Guide

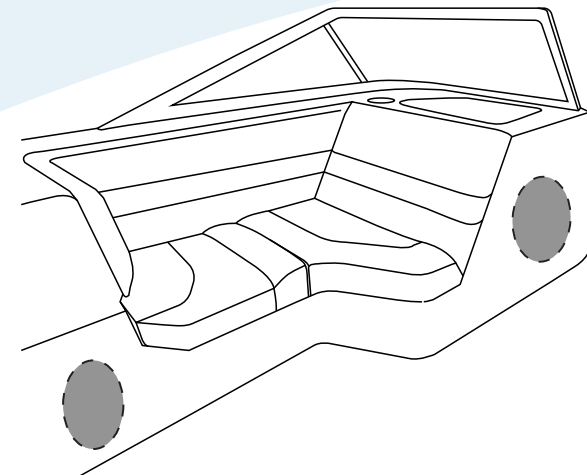
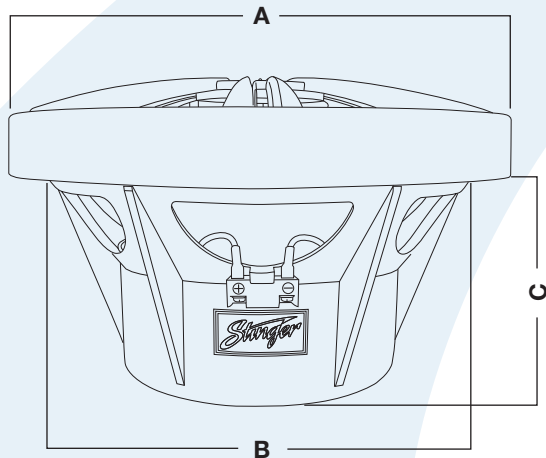
SPECIFICATION	SEA10S4	SEA12S4
Nominal Impedance (Z)	4.00 ohms	4.00 ohms
DC Resistance (Re)	3.60 ohms	3.60 ohms
Resonance Frequency (Fs)	32.14 Hz	30.49 Hz
Piston Area (Sd)	0.0360 m ²	0.0530 m ²
Force Factor (BL)	11.18 Tm	11.53 Tm
Mechanical Q Factor (Qms)	3.18	2.89
Electrical Q Factor (Qes)	0.47	0.54
Total Q Factor (Qts)	0.41	0.46
Sensitivity 1W/M (SPL)	87.91 dB	86.76 dB
Mechanical Compliance (Cms)	306.50 mm/N	147.02 mm/N
Moving Mass (Mms)	80.02 g	185.32 g
Linear Excursion (Xmax)	3.5 mm	3.5 mm
Volume Acoustic Compliance (Vas)	56.29 Ltr 1.99 cu ft	58.84 Ltr 2.08 cu ft
Reference Efficiency (NO.)	0.39%	0.30%
Nominal Power (Pe)	150 Watts	150 Watts
Peak Power	300 Watts	300 Watts
Frequency Response	30-500 Hz	30-500 Hz
Displacement	0.07 cu ft/1.98 Ltr	0.10 cu ft/2.83 Ltr
Overall Diameter (A)	10.5in/267mm	12.5in/318mm
Cut Out Diameter (B)	9.25in/235mm	11.10in/282mm
Mounting Depth (C)	4.33in/110mm	5.71in/145mm

Infinite Baffle Mounting utilizes the storage spaces found on most boats. Please be aware and use caution of wiring harnesses, springs, hinges, and folding seat mechanisms that may interfere with the operation of the boat or speaker system when mounting speakers through any panel of the boat.



When installing a subwoofer or subwoofer enclosure in your vessel, it is crucial to secure it firmly. Panels should be reinforced / braced to support the additional weight.

If not safely secured to the vessel, it can become dangerous projectile in a collision. Please carefully inspect and review placement on the vessel and use the marine-grade mounting hardware for additional safety.



Enclosure Recommendations

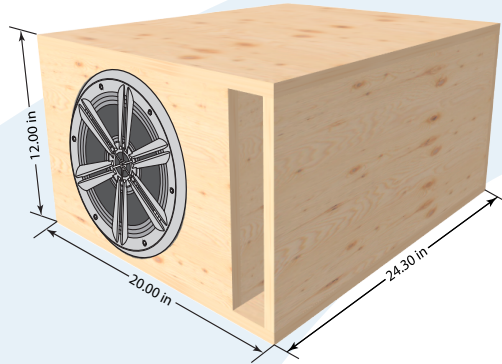
Speaker and port displacement are already taken into account for recommended enclosures

Enclosure Notes: Use 5/8" (0.625") or thicker Marine Grade Plywood and seal the joints with silicone and applying a waterproof coating internal and exterior of the enclosure will further prevent the enclosure from moisture damage.

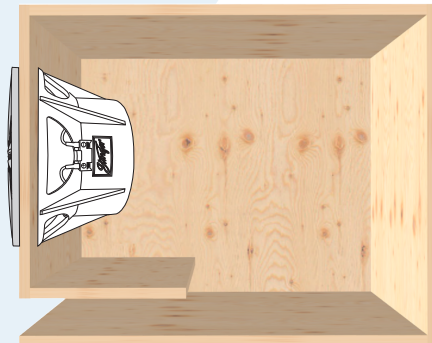
Caution: While this product is designed to be water resistant, it is not designed to be submerged or withstand high-pressure water spray.

When installing a subwoofer or subwoofer enclosure in your vessel, it is crucial to secure it firmly. If not safely secured to the vessel, it can become dangerous projectile in a collision. Please carefully inspect and review placement on the vessel and use the marine-grade mounting hardware for additional safety.

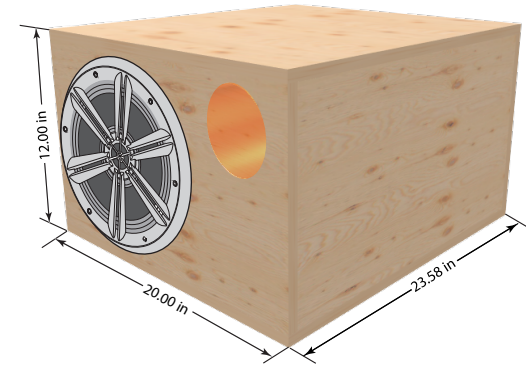
10" Slot Ported Enclosure	
Box External Dimensions	20.00" x 12.00" x 24.30"
Material Thickness	0.625" / 5/8in
Net Internal Volume	2.50 cu ft
Tuning Frequency	40Hz
Port Area	21.50 inch ²
Port Inlet (WxH)	2.00" x 10.75"
Port Length	10.6"



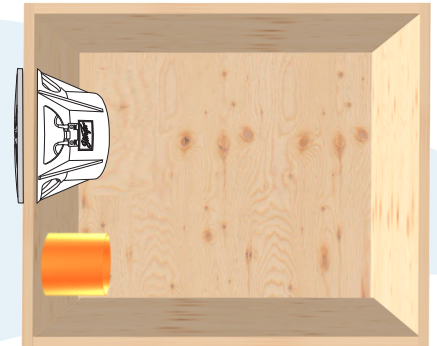
Detail	Size	Quantity
Top/Bottom	20.00" x 24.30"	2
Front	17.37" x 10.75"	1
Rear	20.00" x 10.75"	1
Left	23.05" x 10.75"	1
Right	23.68" x 10.75"	1
Port	9.97" x 10.75"	1



10" Round Ported Enclosure	
Box External Dimensions	20.00" x 12.00" x 23.58"
Material Thickness	0.625" / 5/8in
Net Internal Volume	2.50 cu ft
Tuning Frequency	40 Hz
Port Area	12.56 inch ²
Port Diameter	4.00"
Port Length	5.50"

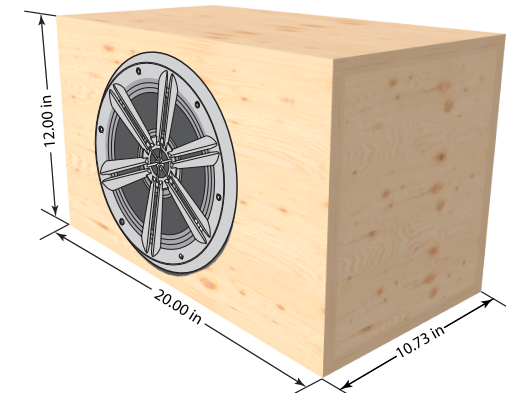


Detail	Size	Quantity
Top/Bottom	20.00" x 23.58"	2
Front/Rear	20.00" x 10.75"	2
Left/Right	22.33" x 10.75"	2



10" Sealed Enclosure	
Box External Dimensions	20.00" x 12.00" x 10.73"
Material Thickness	0.625" / 5/8in
Net Internal Volume	1.03 cu ft
Qtz	0.70

Detail	Size	Quantity
Top/Bottom	20.00" x 10.73"	2
Front/Rear	20.00" x 10.75"	2
Left/Right	9.48" x 10.75"	2



Enclosure Recommendations

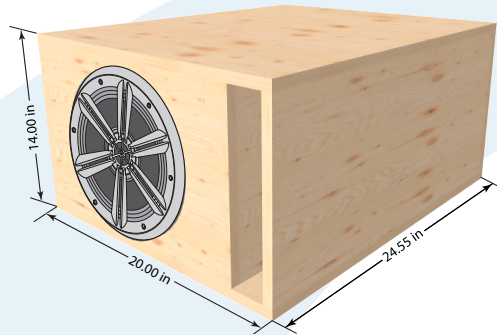
Speaker and port displacement are already taken into account for recommended enclosures

Enclosure Notes: Use 5/8" (0.625") or thicker Marine Grade Plywood and seal the joints with silicone and applying a waterproof coating internal and exterior of the enclosure will further prevent the enclosure from moisture damage.

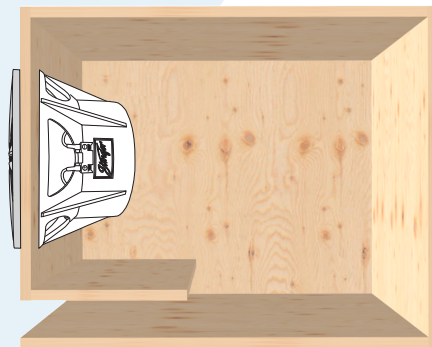
Caution: While this product is deigned to be water resistant. it is not designed to be submerged or withstand high-pressure water spray.

When installing a subwoofer or subwoofer enclosure in your vessel, it is crucial to secure it firmly. If not safely secured to the vessel, it can become dangerous projectile in a collision. Please carefully inspect and review placement on the vessel and use the marine-grade mounting hardware for additional safety.

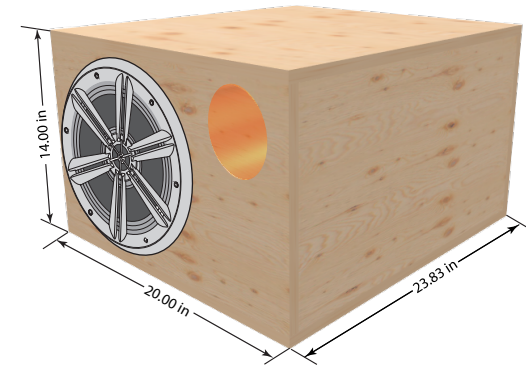
12" Slot Ported Enclosure	
Box External Dimensions	20.00" x 14.00" x 24.55"
Material Thickness	0.625" / 5/8in
Net Internal Volume	3.00 cu ft
Tuning Frequency	40Hz
Port Area	25.00 inch ²
Port Inlet (WxH)	1.96" x 12.75"
Port Length	9.85"



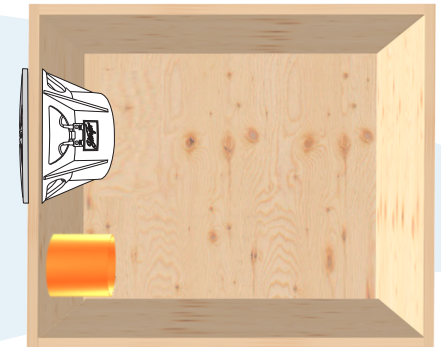
Detail	Size	Quantity
Top/Bottom	20.00" x 24.55"	2
Front	17.41" x 12.75"	1
Rear	20.00" x 12.75"	1
Left	23.30" x 12.75"	1
Right	23.93" x 12.75"	1
Port	9.23" x 12.75"	1



12" Round Ported Enclosure	
Box External Dimensions	20.00" x 14.00" x 23.83"
Material Thickness	0.625" / 5/8in
Net Internal Volume	3.00 cu ft
Tuning Frequency	40 Hz
Port Area	12.56 inch ²
Port Diameter	4.00"
Port Length	4.1"

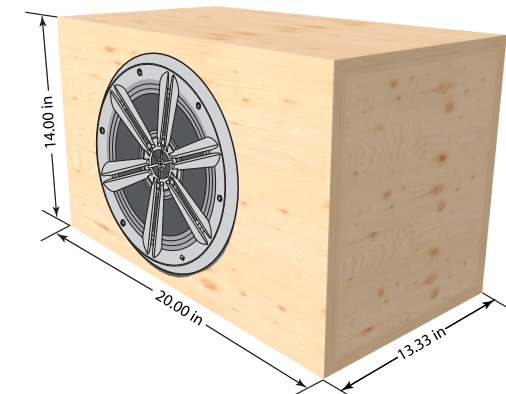


Detail	Size	Quantity
Top/Bottom	20.00" x 23.83"	2
Front/Rear	20.00" x 12.75"	2
Left/Right	22.58" x 12.75"	2



12" Sealed Enclosure	
Box External Dimensions	20.00" x 14.00" x 13.33"
Material Thickness	0.625" / 5/8in
Net Internal Volume	1.57 cu ft
Qty	0.70

Detail	Size	Quantity
Top/Bottom	20.00" x 13.33"	2
Front/Rear	20.00" x 12.75"	2
Left/Right	9.48" x 12.75"	2



Stinger Product Warranty

LIMITED WARRANTY ON SUBWOOFERS

Stinger warrants this product to be free of defects in materials and workmanship for a period of one (1) years from the original date of purchase. This warranty is not transferable and applies only to the original purchaser from an authorized Stinger dealer in the United States of America only. Should service be necessary under this warranty for any reason due to manufacturing defect or malfunction, Stinger will (at its discretion), repair or replace the defective product with new or remanufactured product at no charge. Damage caused by the following is not covered under warranty: accident, misuse, abuse, burnt voice coils, used as door stops ,salad bowls or hats, product modification or neglect, failure to follow installation instructions, unauthorized repair attempts, misrepresentations by the seller. This warranty does not cover incidental or consequential damages and does not cover the cost of removing or reinstalling the unit(s). Cosmetic damage due to accident or normal wear and tear is not covered under warranty.

INTERNATIONAL WARRANTIES:

Products purchased outside the United States of America are covered only by that country's Authorized Stinger reseller and not by Stinger. Consumers needing service or warranty information for these products must contact that country's reseller for information.

Stinger is a Power Brand of AAMP Global
15500 Lightwave Drive, Suite 202
Clearwater, Florida 33760
P: 866-788-4237
info@stingerelectronics.com