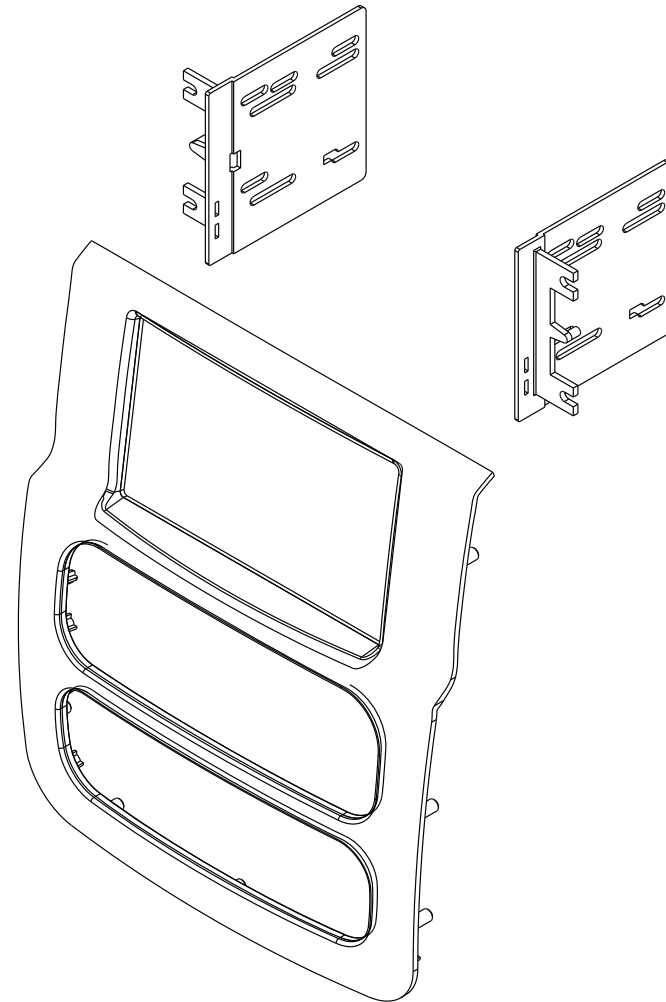




**American
International**
Car Stereo Installation Kits & Accessories



CDK641 Mounting Kit



American International

WWW.AIUS.NET

2500 East Francis Street Ontario, CA 91761, U.S.A.
USA Sales (800) 336-6500

CUSTOMER HELP LINE
USA 800-323-4329

ICDK641

VEHICLE APPLICATIONS

Dodge
2002-05 RAM

**NOTE: THIS INSTALLATION KIT REQUIRES
PROFESSIONAL INSTALLATION. MAJOR SUB-DASH
MODIFICATION IS REQUIRED TO FIT RADIO.**

DASH DISASSEMBLY INSTRUCTIONS

1. Using a soft tool unsnap the dash panel below the steering column, you do not have to remove.
2. Remove the (1) Phillip head screw from below the passenger side air vent.
3. Using a soft tool unsnap and remove the dash panel that surrounds the radio and includes the climate controls. Unplug any harnesses.
4. Remove the (4) Philips screws from the OEM radio. Disconnect and remove.

KIT PREPARATION

1. Remove (4) Phillips Head screws from the climate controls and remove.
2. Remove (4) Phillips Head screws from the OEM pocket and remove.
3. Using a 1/4" drill bit remove the 11 plastic welds securing the OEM radio panel from the dash assembly.
4. Using a 3/8" drill bit open all locations enough for CDK641 panel to fit.
5. Install the CDK641 main frame to the OEM dash assembly using the (9) self threading nuts provided.
5. Reinstall the climate controls using the (4) screws removed earlier.
6. Reinstall the pocket using the (4) screws removed earlier.

NOTE: Attach a rear support bracket to the rear of the new radio and adjust as necessary to support the weight of the radio. Suggested.

THIS INSTALLATION KIT REQUIRES PROFESSIONAL INSTALLATION.
MAJOR SUB-DASH MODIFICATION IS REQUIRED TO FIT RADIO.

DOUBLE DIN INSTALLATION INSTRUCTIONS

Double DIN Mount Applications

1. Insert ISO mountable radio between ISO mount brackets and loosely attach to sides of radio using screws provided with radio when possible, or screws supplied with kit. Using the main frame of the CDK641 as a guide, slide radio forward or backward for desired look and then tighten screws to the radio.

NOTE: Attach a rear support bracket to the rear of the new radio and adjust as necessary to support the weight of the radio. Suggested.

